

## 分割定位柱精實的 · 有六角環和鎖固

EH 22110.



### 產品描述

索引柱塞用於索引鑽孔。  
含鎖/不含鎖具有相同高度。  
由於螺栓縮回,分割定位柱可以完全被鎖入。

### 材質

- 本體
- 鋼, 染黑
  - 不鏽鋼 1.4305
- 固定梢子
- 鋼, 硬化
  - 不鏽鋼 1.4305, 鍍鎳

### 手把

- 塑膠(PA6), 黑色, 無光澤的

### 組裝

螺絲長度可由分割定位柱襯套調整 (EH 22120.)。

### 操作

旋鈕被拉出, 轉90度並由一個槽口夾住 (此時鎖銷不應突出)。

### 更多資訊

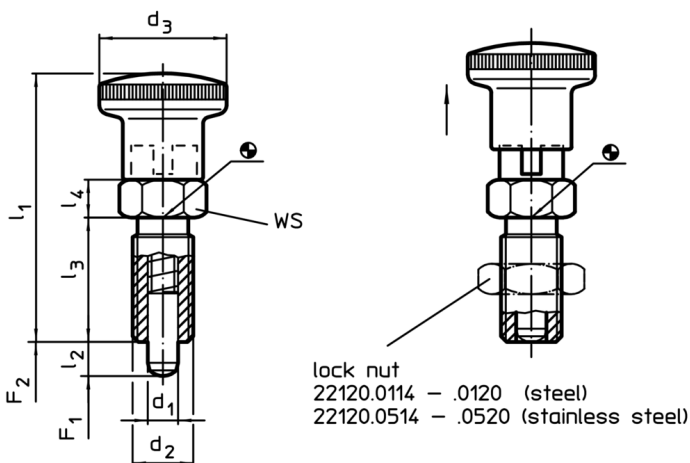
### 注意事項

不可移動的旋鈕。  
螺帽必須個別購買。

### 更多產品

- 支持座, 用於分割螺栓和分割定位柱, 壓鑄
- 定位襯套, 適用於分割螺栓和分割定位柱
- 距離調整環, 適用於分割定位柱

### 圖面



### 訂單資訊




尺寸			WS	彈簧荷重 <sup>1)</sup>		溫度		RoHS	REACH	品號					
d <sub>1</sub>	l <sub>2</sub> min	d <sub>2</sub>		F <sub>1</sub> ~	F <sub>2</sub> ~	min	max.								
[mm]			[mm]	[N]		[°C]		[g]							
4	4	M 8 x 1	16	35,0	16	5	10	4,5	12,0	-30	80	12	RoHS 認證	contains no SVHC materials	22110.0123
4	6	M 8 x 1	16	35,0	16	5	10	4,0	12,5	-30	80	12	RoHS 認證	contains no SVHC materials	22110.0124
5	5	M10 x 1	19	40,0	18	6	12	5,0	15,0	-30	80	20	RoHS 認證	contains no SVHC materials	22110.0126
5	8	M10 x 1	19	40,0	18	6	12	5,0	18,0	-30	80	20	RoHS 認證	contains no SVHC materials	22110.0127
6	6	M12 x 1,5	23	48,0	22	6	14	6,5	19,0	-30	80	31	RoHS 認證	contains no SVHC materials	22110.0129

<sup>1)</sup> 統計平均值

d <sub>1</sub> -0,02 -0,04	l <sub>2</sub> min	尺寸					WS [mm]	彈簧荷重 <sup>1)</sup>		溫度		重量 [g]	RoHS	REACH	品號
		d <sub>2</sub>	d <sub>3</sub>	l <sub>1</sub>	l <sub>3</sub>	l <sub>4</sub>		F <sub>1</sub> ~ [N]	F <sub>2</sub> ~ [N]	min [°C]	max.				
[mm]							[N]		[°C]		[g]				
6	9	M12 x 1,5	23	48,0	22	6	14	6,0	25,0	-30	80	33	RoHS 認證	contains no SVHC materials	22110.0130
8	8	M16 x 1,5	28	58,0	26	8	17	8,5	26,0	-30	80	65	RoHS 認證	contains no SVHC materials	22110.0132
8	12	M16 x 1,5	28	58,0	26	8	17	8,5	28,0	-30	80	68	RoHS 認證	contains no SVHC materials	22110.0133
10	12	M16 x 1,5	28	58,0	26	8	17	9,5	38,0	-30	80	69	RoHS 認證	contains no SVHC materials	22110.0135
12	15	M20 x 1,5	33	67,0	33	10	22	11,5	40,0	-30	80	125	RoHS 認證	contains no SVHC materials	22110.0136
16	20	M24 x 2	33	78,5	38	12	27	13,0	54,0	-30	80	220	RoHS 認證	contains no SVHC materials	22110.0137
不銹鋼															
4	4	M 8 x 1	16	35,0	16	5	10	4,5	12,0	-30	80	12	RoHS 認證	contains no SVHC materials	22110.0223
4	6	M 8 x 1	16	35,0	16	5	10	4,0	12,5	-30	80	12	RoHS 認證	contains no SVHC materials	22110.0224
5	5	M10 x 1	19	40,0	18	6	12	5,0	15,0	-30	80	20	RoHS 認證	contains no SVHC materials	22110.0226
5	8	M10 x 1	19	40,0	18	6	12	5,0	18,0	-30	80	20	RoHS 認證	contains no SVHC materials	22110.0227
6	6	M12 x 1,5	23	48,0	22	6	14	6,5	19,0	-30	80	31	RoHS 認證	contains no SVHC materials	22110.0229
6	9	M12 x 1,5	23	48,0	22	6	14	6,0	25,0	-30	80	33	RoHS 認證	contains no SVHC materials	22110.0230
8	8	M16 x 1,5	28	58,0	26	8	17	8,5	26,0	-30	80	65	RoHS 認證	contains no SVHC materials	22110.0232
8	12	M16 x 1,5	28	58,0	26	8	17	8,5	28,0	-30	80	68	RoHS 認證	contains no SVHC materials	22110.0233
10	12	M16 x 1,5	28	58,0	26	8	17	9,5	38,0	-30	80	69	RoHS 認證	contains no SVHC materials	22110.0235
12	15	M20 x 1,5	33	67,0	33	10	22	11,5	40,0	-30	80	125	RoHS 認證	contains no SVHC materials	22110.0236
16	20	M24 x 2	33	78,5	38	12	27	13,0	54,0	-30	80	220	RoHS 認證	contains no SVHC materials	22110.0237

<sup>1)</sup> 統計平均值

配件

	尺寸 d <sub>2</sub> [mm]	扳手尺寸 [mm]	 [g]	RoHS	REACH	品號
<b>鎖緊螺帽 ISO 8675(DIN 439) 適用於下列尺寸, 鋼</b>						
	M 8 x 1	13	2,7	RoHS 認證	contains no SVHC materials	<a href="#">22120.0114</a>
	M10 x 1	16	5,2	RoHS 認證	contains no SVHC materials	<a href="#">22120.0115</a>
	M12 x 1,5	18	7,4	RoHS 認證	contains no SVHC materials	<a href="#">22120.0116</a>
	M16 x 1,5	24	18,0	RoHS 認證	contains no SVHC materials	<a href="#">22120.0118</a>
	M20 x 1,5	30	32,0	RoHS 認證	contains no SVHC materials	<a href="#">22120.0120</a>
	M24 x 2	36	58,0	RoHS 認證	contains no SVHC materials	<a href="#">22120.0122</a>
<b>鎖緊螺帽 ISO 8675(DIN 439) 適用於下列尺寸, 不銹鋼</b>						
	M 8 x 1	13	2,7	RoHS 認證	contains no SVHC materials	<a href="#">22120.0514</a>
	M10 x 1	16	5,2	RoHS 認證	contains no SVHC materials	<a href="#">22120.0515</a>
	M12 x 1,5	18	7,4	RoHS 認證	contains no SVHC materials	<a href="#">22120.0516</a>
	M16 x 1,5	24	18,0	RoHS 認證	contains no SVHC materials	<a href="#">22120.0518</a>
	M20 x 1,5	30	32,0	RoHS 認證	contains no SVHC materials	<a href="#">22120.0520</a>
	M24 x 2	36	58,0	RoHS 認證	contains no SVHC materials	<a href="#">22120.0522</a>

應用範例

