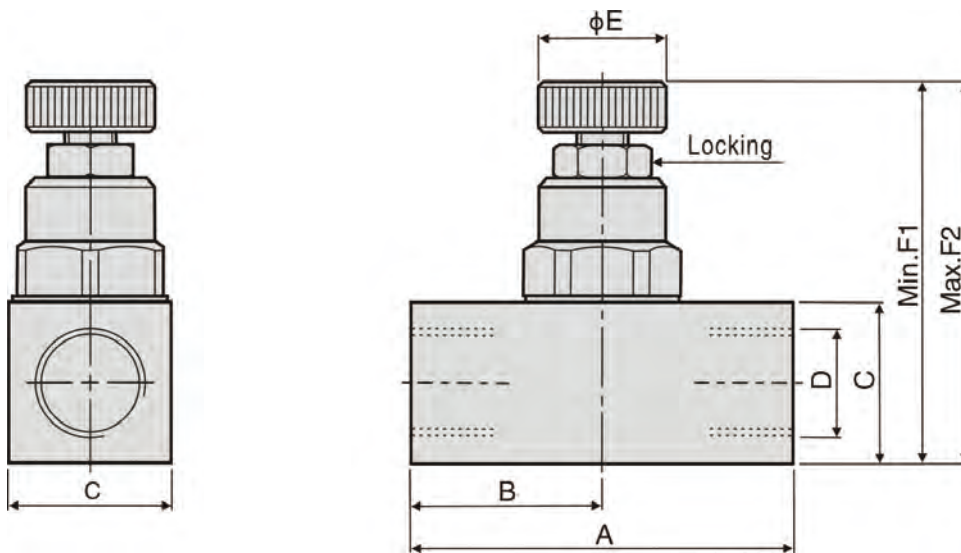


CFCV

油壓流量閥

CFCV HYDRAULIC FLOW CONTROL VALVE



Max. operating pressure: 210 kgf/cm²

Unit:mm

Model	A	B	C	D	ΦE	F1	F2
CFCV-01	35	19	□15.9	PT1/8	Φ12	41	44.5
CFCV-02	45	22.5	□19	PT1/4	Φ15	45	48.5

使用流體：相當於ISO黏度等級的ISO-VG-32一般液壓油

Usable fluid: General Hydraulic Oil Equivalent to ISO-VG-32