

CALC

槓桿式氣壓缸

CALC PNEUMATIC LEVERAGE CLAMP



產品特性

此型式氣壓缸，採用標準規格化治具缸，加裝槓桿式夾持機構，活塞推出為夾緊狀態，主要機構零件安裝於缸體外部，易於維護。缸體材質採用鋁合金，內壁表面光滑，具耐磨性，使用壽命長，夾持機構材料均採用機械構造用碳素鋼，堅固耐用。本系列各種型號均可安裝磁性感應開關。

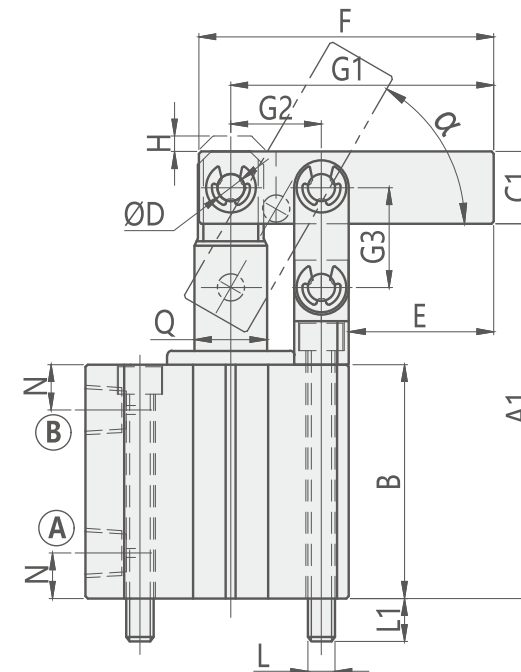
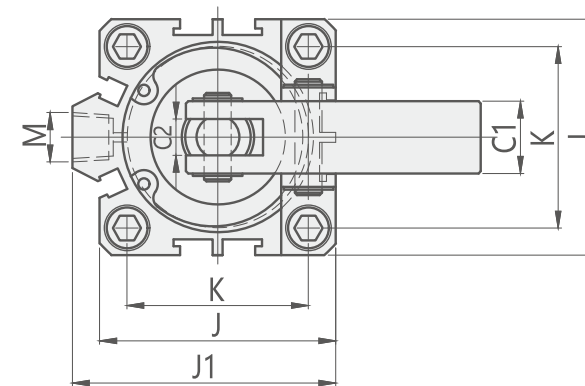
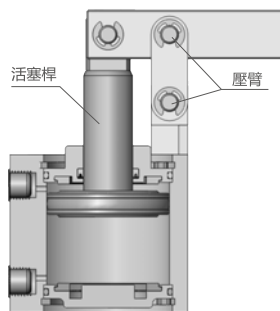
最大操作壓力：7 kgf/cm²
 最小操作壓力：3 kgf/cm²
 作動方式：複動式

FEATURES

Applied Standardized fixture clamp in this series of product, and fitted with levertype holding structure. Piston push out for clamping. Main spare parts of this product be installed outside of the body for convenient maintenance. The material of body is aluminum alloy. The surface of internal is smooth, and has a long service life. Clamping spare parts material is carbon steel which used for mechanical configuration, firm and wear-resistance. All models of this series equipped with magnetic induction are available.

Max. operating pressure: 7 kgf/cm²
 Min. operating pressure: 3 kgf/cm²
 Double acting

剖面圖 Sectional view



- Ⓐ 夾持氣孔 Clamping port
- Ⓑ 放鬆氣孔 Unclamping port

Unit:mm

型號 Model	CALC-25	CALC-32	CALC-40	CALC-50	CALC-63	CALC-80	CALC-100	
標準型 Standard type	A1 65.5	B 41	78	82.5	96.6	115.5	138	163.5
附磁石型 With magnet	A1 75.5	B 51	93	97.5	106.6	125.5	148	173.5
C1	□13	□16	□16	□19	□22	□22	□25	
C2	6	8	8	10	10	10	12	
ΦD	Φ5	Φ6	Φ6	Φ8	Φ8	Φ10	Φ12	
E	25	31	32	35	38.5	47	53	
F	50	60	65	75	85	105	125	
G1	45	53	58	66	76	94	110	
G2	14	17	20	23	29.5	37	45	
G3	17	20	22	27	32	40	45	
H	3	3	3	3	3	3	3	
J	40	44	52	62	75	94	114	
J1	-	50	58	71	84.5	104	124	
K	28	34	40	48	60	74	90	
L	M5X0.8	M5X0.8	M6X1.0	M6X1.0	M6X1.0	M8	M10	
L1	10.5	11	9.5	11	11	15.5	15	
M	M5X0.8	PT1/8	PT1/8	PT1/4	PT1/4	PT1/4	PT1/4	
N	8	9	10	11	11	14	18	
α	75°	70°	65°	70°	65°	65°	60°	
Q	Φ10	Φ12	Φ16	Φ20	Φ20	Φ25	Φ32	

注意事項

夾緊及放鬆作動速度需適當放緩。

NOTE

The acting speed of clamping-unclamping should be slowed down.

訂購標示法 ORDERING INDICATION

示例: CALC-MS32-S1

CALC	系列 Series	CALC
MS	空白: Blank MS	標準型 Standard type 附磁石感應 With magnetic induction
32	氣缸內徑 Cylinder inside diameter	Φ25, Φ32, Φ40, Φ50, Φ63, Φ80, Φ100
S1	感應開關 Sensor switch	S1: 1個 S1:1 pc of S1 S2: 2個 S2:2 pcs of S2

規格參數表 SPECIFICATION

型號	理論夾持力 (7kgf/cm ²)	夾緊行程	總行程	推出容積	拉入容積	推出受壓面積	拉入受壓面積	使用溫度範圍	使用流體
MODEL	CLAMPING FORCE AT 7kgf/cm ² (kgf)	CLAMPING STROKE (mm)	TOTAL STROKE(mm)	EFF.PISTON CAPACITY CLAMP(cm ³)	CYLINDER CAPACITY UNCLAMP(cm ³)	EFF.PISTON AREA CLAMP(cm ²)	EFF.PISTON AREA UNCLAMP(cm ²)	RANGE OF TEMPERATURE(°C)	USABLE FLUID
CALC-25	20	17	20	9.82	8.24	4.91	4.12	-10~+60°C	過濾之乾燥壓縮 空氣 Oiled Dry Clean Compressed Air
CALC-32	31	20	23	18.49	15.89	8.04	6.91	-10~+60°C	
CALC-40	56	22	25	31.40	26.40	12.57	10.56	-10~+60°C	
CALC-50	91	27	30	58.89	49.47	19.63	16.49	-10~+60°C	
CALC-63	169	32	35	109.06	98.00	31.16	28	-10~+60°C	
CALC-80	279	40	43	216.03	195.22	50.24	45.4	-10~+60°C	
CALC-100	469	45	48	376.80	338.4	78.5	70.5	-10~+60°C	