

## 手輪·DIN 950 輕合金 EH 24590.

### 產品描述

車削、邊緣拋光處理, 未加工表面噴砂處理

### 材質

手輪  
• 輕合金 (鋁)

機械把手 DIN 39 EH 24450.  
• 鋼, 車削, 鍍鋅, 鈍化

旋轉機械把手 DIN 98 EH 24460.  
• 鋼, 車削, 鍍鋅, 鈍化

### 組裝

軸端華司 EH 22270。用於軸向緊固。

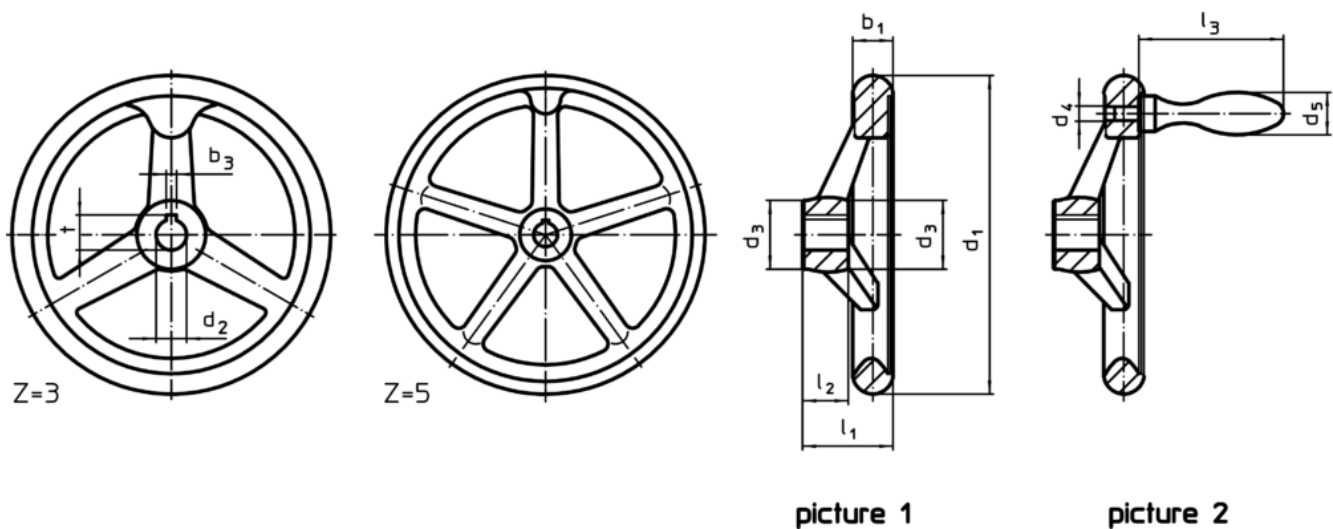
### 更多資訊

### 更多產品

- 軸端華司
- 旋轉機械把手, DIN 98



### 圖面





The orientation of the hub keyway may be different than shown in the drawing.

### 訂單資訊

尺寸								中心鍵槽 DIN 6885 規格表 1		輪輻數 Z	一致。機械把手 DIN 39 / DIN 98	[g]	RoHS	REACH	品號
d <sub>1</sub>	d <sub>2</sub> H7	d <sub>3</sub>	d <sub>4</sub>	d <sub>5</sub>	l <sub>1</sub> ~	l <sub>2</sub>	l <sub>3</sub> ~	b <sub>3</sub>	t						
[mm]								[mm]		[mm]	[g]				
不含 鍵槽, 不含 把手 型式B-F/A (舊型 A 4) – 相片 1															
80	10	24	-	-	29	16	-	-	-	3	-	129	RoHS 認證	contains no SVHC materials	24590.0000
80	12	24	-	-	29	16	-	-	-	3	-	128	RoHS 認證	contains no SVHC materials	24590.0001
100	10	26	-	-	33	17	-	-	-	3	-	207	RoHS 認證	contains no SVHC materials	24590.0005
100	12	26	-	-	33	17	-	-	-	3	-	205	RoHS 認證	contains no SVHC materials	24590.0006
125	12	28	-	-	36	18	-	-	-	3	-	292	RoHS 認證	contains no SVHC materials	24590.0010
125	14	28	-	-	36	18	-	-	-	3	-	298	RoHS 認證	contains no SVHC materials	24590.0011
140	14	30	-	-	39	19	-	-	-	3	-	394	RoHS 認證	contains no SVHC materials	24590.0015
140	16	30	-	-	39	19	-	-	-	3	-	363	RoHS 認證	contains no SVHC materials	24590.0016
160	14	32	-	-	40	20	-	-	-	3	-	480	RoHS 認證	contains no SVHC materials	24590.0020

尺寸									中心鍵槽 DIN 6885 規格表 1		輪輻數 Z	一致。機械把手 DIN 39 / DIN 98	🔩	RoHS	REACH	品號
d <sub>1</sub>	d <sub>2</sub> H7	d <sub>3</sub>	d <sub>4</sub>	d <sub>5</sub>	l <sub>1</sub> ~	l <sub>2</sub>	l <sub>3</sub> ~	b <sub>3</sub>	t	[mm]						
160	16	32	-	-	40	20	-	-	-	3	-	471	RoHS 認證	contains no SVHC materials	24590.0021	
200	18	38	-	-	45	24	-	-	-	3	-	783	RoHS 認證	contains no SVHC materials	24590.0030	
200	22	38	-	-	45	24	-	-	-	3	-	770	RoHS 認證	contains no SVHC materials	24590.0031	
250	22	45	-	-	50	28	-	-	-	5	-	1509	RoHS 認證	contains no SVHC materials	24590.0040	
250	26	45	-	-	50	28	-	-	-	5	-	1510	RoHS 認證	contains no SVHC materials	24590.0041	
315	26	53	-	-	56	33	-	-	-	5	-	2440	RoHS 認證	contains no SVHC materials	24590.0045	
315	30	53	-	-	56	33	-	-	-	5	-	2400	RoHS 認證	contains no SVHC materials	24590.0046	
400	30	65	-	-	63	38	-	-	-	5	-	3740	RoHS 認證	contains no SVHC materials	24590.0050	
400	34	65	-	-	63	38	-	-	-	5	-	3700	RoHS 認證	contains no SVHC materials	24590.0051	
含 鍵槽，不含 把手 型式N-F/A (舊型 A 3) - 相片 1																
80	10	24	-	-	29	16	-	3	11,4	3	-	128	RoHS 認證	contains no SVHC materials	24590.0100	
80	12	24	-	-	29	16	-	4	13,8	3	-	127	RoHS 認證	contains no SVHC materials	24590.0101	
100	10	26	-	-	33	17	-	3	11,4	3	-	208	RoHS 認證	contains no SVHC materials	24590.0105	
100	12	26	-	-	33	17	-	4	13,8	3	-	199	RoHS 認證	contains no SVHC materials	24590.0106	
125	12	28	-	-	36	18	-	4	13,8	3	-	299	RoHS 認證	contains no SVHC materials	24590.0110	
125	14	28	-	-	36	18	-	5	16,3	3	-	291	RoHS 認證	contains no SVHC materials	24590.0111	
140	14	30	-	-	39	19	-	5	16,3	3	-	374	RoHS 認證	contains no SVHC materials	24590.0115	
140	16	30	-	-	39	19	-	5	18,3	3	-	318	RoHS 認證	contains no SVHC materials	24590.0116	
160	14	32	-	-	40	20	-	5	16,3	3	-	422	RoHS 認證	contains no SVHC materials	24590.0120	
160	16	32	-	-	40	20	-	5	18,3	3	-	422	RoHS 認證	contains no SVHC materials	24590.0121	
200	18	38	-	-	45	24	-	6	20,8	3	-	779	RoHS 認證	contains no SVHC materials	24590.0130	
200	22	38	-	-	45	24	-	6	24,8	3	-	758	RoHS 認證	contains no SVHC materials	24590.0131	
250	22	45	-	-	50	28	-	6	24,8	5	-	1522	RoHS 認證	contains no SVHC materials	24590.0140	
250	26	45	-	-	50	28	-	8	29,3	5	-	1472	RoHS 認證	contains no SVHC materials	24590.0141	
315	26	53	-	-	56	33	-	8	29,3	5	-	2500	RoHS 認證	contains no SVHC materials	24590.0145	
315	30	53	-	-	56	33	-	8	33,3	5	-	2445	RoHS 認證	contains no SVHC materials	24590.0146	
400	30	65	-	-	63	38	-	8	33,3	5	-	3600	RoHS 認證	contains no SVHC materials	24590.0150	
400	34	65	-	-	63	38	-	10	37,3	5	-	3740	RoHS 認證	contains no SVHC materials	24590.0151	
不含 鍵槽，含旋轉 把手 EH 2446.，已組立 型式B-F/G (舊型 D 4) - 相片 2																
80	10	24	M 6	16	29	16	49	-	-	3	16	150	RoHS 認證	contains no SVHC materials	24590.0200	
80	12	24	M 6	16	29	16	49	-	-	3	16	150	RoHS 認證	contains no SVHC materials	24590.0201	
100	10	26	M 6	16	33	17	49	-	-	3	16	210	RoHS 認證	contains no SVHC materials	24590.0205	
100	12	26	M 6	16	33	17	49	-	-	3	16	220	RoHS 認證	contains no SVHC materials	24590.0206	

尺寸								中心鍵槽 DIN 6885 規格表 1		輪輻數 z	一致。機械把手 DIN 39 / DIN 98		RoHS	REACH	品號
d <sub>1</sub>	d <sub>2</sub> H7	d <sub>3</sub>	d <sub>4</sub>	d <sub>5</sub>	l <sub>1</sub> ~	l <sub>2</sub>	l <sub>3</sub> ~	b <sub>3</sub>	t						
[mm]								[mm]							
125	12	28	M 8	20	36	18	61	-	-	3	20	340	RoHS 認證	contains no SVHC materials	24590.0210
125	14	28	M 8	20	36	18	61	-	-	3	20	340	RoHS 認證	contains no SVHC materials	24590.0211
140	14	30	M 8	20	39	19	61	-	-	3	20	430	RoHS 認證	contains no SVHC materials	24590.0215
140	16	30	M 8	20	39	19	61	-	-	3	20	430	RoHS 認證	contains no SVHC materials	24590.0216
160	14	32	M10	25	40	20	75	-	-	3	25	615	RoHS 認證	contains no SVHC materials	24590.0220
160	16	32	M10	25	40	20	75	-	-	3	25	615	RoHS 認證	contains no SVHC materials	24590.0221
200	18	38	M10	25	45	24	75	-	-	3	25	970	RoHS 認證	contains no SVHC materials	24590.0230
200	22	38	M10	25	45	24	75	-	-	3	25	970	RoHS 認證	contains no SVHC materials	24590.0231
250	22	45	M12	32	50	28	95	-	-	5	32	1885	RoHS 認證	contains no SVHC materials	24590.0240
250	26	45	M12	32	50	28	95	-	-	5	32	1885	RoHS 認證	contains no SVHC materials	24590.0241
315	26	53	M12	32	56	33	95	-	-	5	32	2885	RoHS 認證	contains no SVHC materials	24590.0245
315	30	53	M12	32	56	33	95	-	-	5	32	2885	RoHS 認證	contains no SVHC materials	24590.0246
400	30	65	M16	36	63	38	106	-	-	5	36	4250	RoHS 認證	contains no SVHC materials	24590.0250
400	34	65	M16	36	63	38	106	-	-	5	36	4250	RoHS 認證	contains no SVHC materials	24590.0251
有 鍵槽，有旋轉 把手 EH 2446. 已組立，型式N-F/G (舊型 D 3) - 相片 2															
80	10	24	M 6	16	29	16	49	3	11,4	3	16	150	RoHS 認證	contains no SVHC materials	24590.0300
80	12	24	M 6	16	29	16	49	4	13,8	3	16	150	RoHS 認證	contains no SVHC materials	24590.0301
100	10	26	M 6	16	33	17	49	3	11,4	3	16	210	RoHS 認證	contains no SVHC materials	24590.0305
100	12	26	M 6	16	33	17	49	4	13,8	3	16	210	RoHS 認證	contains no SVHC materials	24590.0306
125	12	28	M 8	20	36	18	61	4	13,8	3	20	340	RoHS 認證	contains no SVHC materials	24590.0310
125	14	28	M 8	20	36	18	61	5	16,3	3	20	340	RoHS 認證	contains no SVHC materials	24590.0311
140	14	30	M 8	20	39	19	61	5	16,3	3	20	456	RoHS 認證	contains no SVHC materials	24590.0315
140	16	30	M 8	20	39	19	61	5	18,3	3	20	430	RoHS 認證	contains no SVHC materials	24590.0316
160	14	32	M10	25	40	20	75	5	16,3	3	25	615	RoHS 認證	contains no SVHC materials	24590.0320
160	16	32	M10	25	40	20	75	5	18,3	3	25	615	RoHS 認證	contains no SVHC materials	24590.0321
200	18	38	M10	25	45	24	75	6	20,8	3	25	970	RoHS 認證	contains no SVHC materials	24590.0330
200	22	38	M10	25	45	24	75	6	24,8	3	25	970	RoHS 認證	contains no SVHC materials	24590.0331
250	22	45	M12	32	50	28	95	6	24,8	5	32	1885	RoHS 認證	contains no SVHC materials	24590.0340
250	26	45	M12	32	50	28	95	8	29,3	5	32	1885	RoHS 認證	contains no SVHC materials	24590.0341

尺寸								中心鍵槽 DIN 6885 規格表 1		輪輻數 z	一致。機械把手 DIN 39 / DIN 98	 [g]	RoHS	REACH	品號
d <sub>1</sub>	d <sub>2</sub> H7	d <sub>3</sub>	d <sub>4</sub>	d <sub>5</sub>	l <sub>1</sub> ~	l <sub>2</sub>	l <sub>3</sub> ~	b <sub>3</sub>	t						
315	26	53	M12	32	56	33	95	8	29,3	5	32	2885	RoHS 認證	contains no SVHC materials	24590.0345
315	30	53	M12	32	56	33	95	8	33,3	5	32	2885	RoHS 認證	contains no SVHC materials	24590.0346
400	30	65	M16	36	63	38	106	8	33,3	5	36	4250	RoHS 認證	contains no SVHC materials	24590.0350
400	34	65	M16	36	63	38	106	10	37,3	5	36	4250	RoHS 認證	contains no SVHC materials	24590.0351
無鍵槽，帶有機械手柄的 EH 2445，被組裝成為 B-F/G (以前的 F 4) – 相片 2															
80	10	24	M 6	16	29	16	50	-	-	3	16	150	RoHS 認證	contains no SVHC materials	24590.0400
80	12	24	M 6	16	29	16	50	-	-	3	16	150	RoHS 認證	contains no SVHC materials	24590.0401
100	10	26	M 6	16	33	17	50	-	-	3	16	210	RoHS 認證	contains no SVHC materials	24590.0405
100	12	26	M 6	16	33	17	50	-	-	3	16	210	RoHS 認證	contains no SVHC materials	24590.0406
125	12	28	M 8	20	36	18	64	-	-	3	20	340	RoHS 認證	contains no SVHC materials	24590.0410
125	14	28	M 8	20	36	18	64	-	-	3	20	340	RoHS 認證	contains no SVHC materials	24590.0411
140	14	30	M 8	20	39	19	64	-	-	3	20	420	RoHS 認證	contains no SVHC materials	24590.0415
140	16	30	M 8	20	39	19	64	-	-	3	20	420	RoHS 認證	contains no SVHC materials	24590.0416
160	14	32	M10	25	40	20	80	-	-	3	25	615	RoHS 認證	contains no SVHC materials	24590.0420
160	16	32	M10	25	40	20	80	-	-	3	25	615	RoHS 認證	contains no SVHC materials	24590.0421
200	18	38	M10	25	45	24	80	-	-	3	25	970	RoHS 認證	contains no SVHC materials	24590.0430
200	22	38	M10	25	45	24	80	-	-	3	25	970	RoHS 認證	contains no SVHC materials	24590.0431
250	22	45	M12	32	50	28	100	-	-	5	32	1860	RoHS 認證	contains no SVHC materials	24590.0440
250	26	45	M12	32	50	28	100	-	-	5	32	1860	RoHS 認證	contains no SVHC materials	24590.0441
315	26	53	M12	32	56	33	100	-	-	5	32	2860	RoHS 認證	contains no SVHC materials	24590.0445
315	30	53	M12	32	56	33	100	-	-	5	32	2860	RoHS 認證	contains no SVHC materials	24590.0446
400	30	65	M16	36	63	38	112	-	-	5	36	4210	RoHS 認證	contains no SVHC materials	24590.0450
400	34	65	M16	36	63	38	112	-	-	5	36	4210	RoHS 認證	contains no SVHC materials	24590.0451
有鍵槽，有固定把手 EH 2445. 組立，型式 N-F/G (舊型 F 3) – 相片 2															
80	10	24	M 6	16	29	16	50	3	11,4	3	16	150	RoHS 認證	contains no SVHC materials	24590.0500
80	12	24	M 6	16	29	16	50	4	13,8	3	16	150	RoHS 認證	contains no SVHC materials	24590.0501
100	10	26	M 6	16	33	17	50	3	11,4	3	16	210	RoHS 認證	contains no SVHC materials	24590.0505
100	12	26	M 6	16	33	17	50	4	13,8	3	16	210	RoHS 認證	contains no SVHC materials	24590.0506
125	12	28	M 8	20	36	18	64	4	13,8	3	20	330	RoHS 認證	contains no SVHC materials	24590.0510
125	14	28	M 8	20	36	18	64	5	16,3	3	20	330	RoHS 認證	contains no SVHC materials	24590.0511
140	14	30	M 8	20	39	19	64	5	16,3	3	20	420	RoHS 認證	contains no SVHC materials	24590.0515
140	16	30	M 8	20	39	19	64	5	18,3	3	20	420	RoHS 認證	contains no SVHC materials	24590.0516
160	14	32	M10	25	40	20	80	5	16,3	3	25	610	RoHS 認證	contains no SVHC materials	24590.0520

尺寸								中心鍵槽 DIN 6885 規格表 1		輪輻數 z	一致。機械把手 DIN 39 / DIN 98	🔩 [g]	RoHS	REACH	品號
d <sub>1</sub>	d <sub>2</sub> H7	d <sub>3</sub>	d <sub>4</sub>	d <sub>5</sub>	l <sub>1</sub> ~	l <sub>2</sub>	l <sub>3</sub> ~	b <sub>3</sub>	t						
160	16	32	M10	25	40	20	80	5	18,3	3	25	610	RoHS 認證	contains no SVHC materials	24590.0521
200	18	38	M10	25	45	24	80	6	20,8	3	25	960	RoHS 認證	contains no SVHC materials	24590.0530
200	22	38	M10	25	45	24	80	6	24,8	3	25	960	RoHS 認證	contains no SVHC materials	24590.0531
250	22	45	M12	32	50	28	100	6	24,8	5	32	1860	RoHS 認證	contains no SVHC materials	24590.0540
250	26	45	M12	32	50	28	100	8	29,3	5	32	1860	RoHS 認證	contains no SVHC materials	24590.0541
315	26	53	M12	32	56	33	100	8	29,3	5	32	2860	RoHS 認證	contains no SVHC materials	24590.0545
315	30	53	M12	32	56	33	100	8	33,3	5	32	2860	RoHS 認證	contains no SVHC materials	24590.0546
400	30	65	M16	36	63	38	112	8	33,3	5	36	4210	RoHS 認證	contains no SVHC materials	24590.0550
400	34	65	M16	36	63	38	112	10	37,3	5	36	4210	RoHS 認證	contains no SVHC materials	24590.0551

應用範例

