

Tommy 螺絲• DIN 6306 有移動梢 EH 24500.

產品描述

此版本的銷是可移動的，且被彈簧固定。

材質

- 切削鋼，染黑，壓力柄硬化，移動梢以彈簧保持之

更多資訊

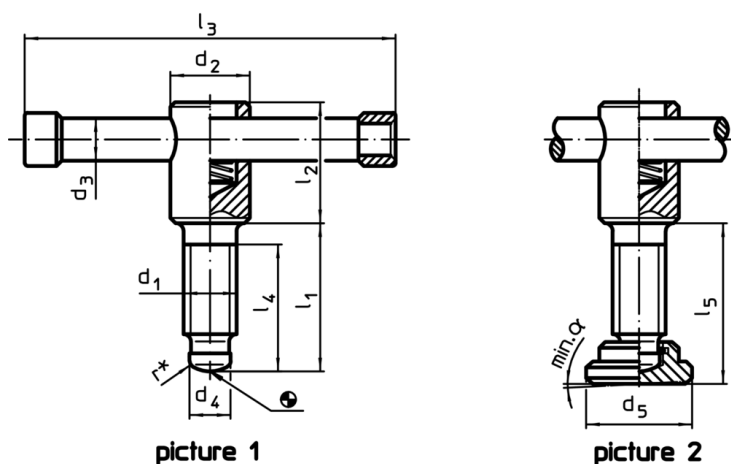
參考

用於推力襯墊 DIN 6311 類型S 的推力點，EH 22560

更多產品

- 推力腳座, DIN 6311 和低型


圖面



* to ease assembly the DIN 6306 specification has been completed by r

訂單資訊

d ₁	l ₁	d ₂	d ₃	尺寸 [mm]						α min	⚙️ [g]	RoHS	REACH	品號
				d ₄	d ₅	l ₂	l ₃	l ₄	l ₅					
無推力襯墊，型式 D - 相片 1														
M 8	40	14	6	6,0	-	25	60	32	-	-	44	RoHS 認證	contains SVHC materials >0.1% w/w	24500.0008
M 8	50	14	6	6,0	-	25	60	42	-	-	47	RoHS 認證	contains SVHC materials >0.1% w/w	24500.0009
M10	40	18	8	8,0	-	32	80	30	-	-	92	RoHS 認證	contains SVHC materials >0.1% w/w	24500.0010
M10	50	18	8	8,0	-	32	80	40	-	-	96	RoHS 認證	contains SVHC materials >0.1% w/w	24500.0011
M12	50	20	10	8,0	-	35	100	40	-	-	154	RoHS 認證	contains SVHC materials >0.1% w/w	24500.0012
M12	60	20	10	8,0	-	35	100	50	-	-	162	RoHS 認證	contains SVHC materials >0.1% w/w	24500.0013
M16	55	24	13	12,0	-	40	120	45	-	-	298	RoHS 認證	contains SVHC materials >0.1% w/w	24500.0016

d ₁	l ₁	d ₂	d ₃	尺寸						α min		RoHS	REACH	品號
				d ₄	d ₅	l ₂	l ₃	l ₄	l ₅ ~					
[mm]										[g]				
M16	70	24	13	12,0	-	40	120	60	-	-	318	RoHS 認證	contains SVHC materials >0.1% w/w	24500.0017
M16	90	24	13	12,0	-	40	120	60	-	-	343	RoHS 認證	contains SVHC materials >0.1% w/w	24500.0018
M20	55	30	16	15,5	-	45	140	45	-	-	522	RoHS 認證	contains SVHC materials >0.1% w/w	24500.0020
M20	70	30	16	15,5	-	45	140	60	-	-	550	RoHS 認證	contains SVHC materials >0.1% w/w	24500.0021
M20	90	30	16	15,5	-	45	140	80	-	-	593	RoHS 認證	contains SVHC materials >0.1% w/w	24500.0022
有推力襯墊， DIN 6311型式 E - 相片 2														
M 8	40	14	6	6,0	16	25	60	32	43,0	3°	53	RoHS 認證	contains SVHC materials >0.1% w/w	24500.0108
M 8	50	14	6	6,0	16	25	60	42	53,0	3°	56	RoHS 認證	contains SVHC materials >0.1% w/w	24500.0109
M10	40	18	8	8,0	20	32	80	30	43,6	3°	110	RoHS 認證	contains SVHC materials >0.1% w/w	24500.0110
M10	50	18	8	8,0	20	32	80	40	53,6	3°	114	RoHS 認證	contains SVHC materials >0.1% w/w	24500.0111
M12	50	20	10	8,0	25	35	100	40	54,6	3°	193	RoHS 認證	contains SVHC materials >0.1% w/w	24500.0112
M12	60	20	10	8,0	25	35	100	50	64,6	3°	198	RoHS 認證	contains SVHC materials >0.1% w/w	24500.0113
M16	55	24	13	12,0	32	40	120	45	60,4	5°	357	RoHS 認證	contains SVHC materials >0.1% w/w	24500.0116
M16	70	24	13	12,0	32	40	120	60	75,4	5°	377	RoHS 認證	contains SVHC materials >0.1% w/w	24500.0117
M16	90	24	13	12,0	32	40	120	80	95,4	5°	402	RoHS 認證	contains SVHC materials >0.1% w/w	24500.0118
M20	55	30	16	15,5	40	45	140	45	60,5	4°	623	RoHS 認證	contains SVHC materials >0.1% w/w	24500.0120
M20	70	30	16	15,5	40	45	140	60	75,5	4°	653	RoHS 認證	contains SVHC materials >0.1% w/w	24500.0121
M20	90	30	16	15,5	40	45	140	80	95,5	4°	693	RoHS 認證	contains SVHC materials >0.1% w/w	24500.0122