

壓板·與可交換的軟顎
EH 23190.

產品描述

用於夾緊敏感元件。
由黃銅或塑料製成的軟爪可以保護工件免受損壞。

材質

- 軟顎
- 黃銅
 - 塑膠

鉗

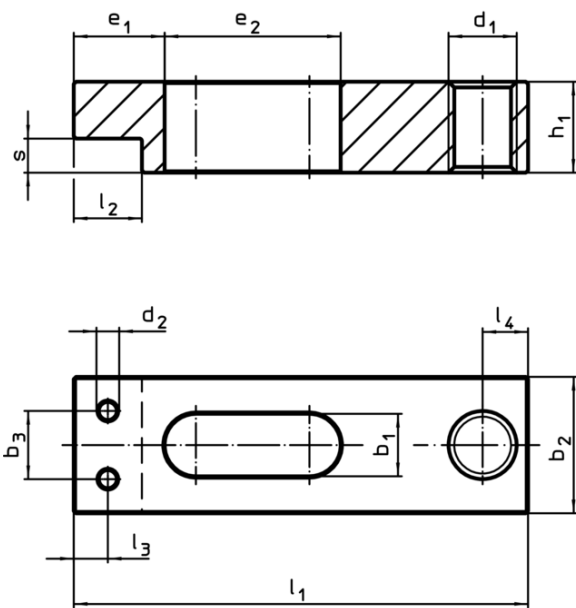
- 熱處理鋼，染黑

組裝

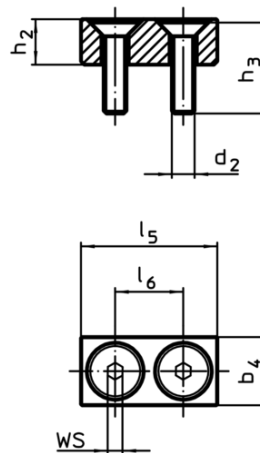
軟爪可以用兩個螺釘安裝或拆卸。這些都包含在交貨範圍內。



圖面



picture 1



picture 2

訂單資訊

標稱 昏暗。 b ₁ +0,5 [mm]	尺寸																	WS [mm]	🌡️ min max. [°C]		📦 [g]	RoHS	REACH	品號
	l ₁	b ₂	b ₃	b ₄	d ₁	d ₂	e ₁	e ₂	h ₁	h ₂	h ₃	l ₂	l ₃	l ₄	l ₅	l ₆	s							
沒有軟顎的普通夾子 – 相片 1																								
5,5	40	12	6	-	M 6	M2	8	15,5	8	-	-	6	3,0	4	-	-	3	-	-	-	21,0	RoHS 認證	contains SVHC materials >0.1% w/w	23190.0050
7,0	50	16	9	-	M 6	M2,5	10	22,0	10	-	-	8	4,0	5	-	-	4	-	-	-	46,0	RoHS 認證	contains SVHC materials >0.1% w/w	23190.0051
9,0	63	20	11	-	M 8	M3	12	29,0	12	-	-	10	5,0	6	-	-	4	-	-	-	86,0	RoHS 認證	contains SVHC materials >0.1% w/w	23190.0052
11,0	80	25	14	-	M10	M4	15	36,0	16	-	-	13	6,5	8	-	-	6	-	-	-	183,0	RoHS 認證	contains SVHC materials >0.1% w/w	23190.0053
14,0	100	32	16	-	M12	M5	18	44,0	20	-	-	16	8,0	10	-	-	8	-	-	-	366,0	RoHS 認證	contains SVHC materials >0.1% w/w	23190.0054
18,0	160	50	30	-	M16	M8	30	63,0	30	-	-	28	14,0	16	-	-	12	-	-	-	1440,0	RoHS 認證	contains SVHC materials >0.1% w/w	23190.0055
黃銅軟下顎 – 相片 2																								
5,5	-	-	-	6	-	M2	-	-	-	4	8	-	-	-	12	6	-	1,3	-	250	3,8	RoHS 認證	contains no SVHC materials	23190.0060
7,0	-	-	-	8	-	M2,5	-	-	-	6	10	-	-	-	16	9	-	1,5	-	250	7,8	RoHS 認證	contains no SVHC materials	23190.0061
9,0	-	-	-	10	-	M3	-	-	-	6	12	-	-	-	20	11	-	2,0	-	250	12,0	RoHS 認證	contains no SVHC materials	23190.0062
11,0	-	-	-	13	-	M4	-	-	-	9	16	-	-	-	25	14	-	2,5	-	250	26,0	RoHS 認證	contains no SVHC materials	23190.0063
14,0	-	-	-	16	-	M5	-	-	-	12	20	-	-	-	32	16	-	3,0	-	250	53,0	RoHS 認證	contains no SVHC materials	23190.0064
18,0	-	-	-	28	-	M8	-	-	-	16	30	-	-	-	50	30	-	5,0	-	250	187,0	RoHS 認證	contains no SVHC materials	23190.0065
塑料軟顎 – 相片 2																								
5,5	-	-	-	6	-	M2	-	-	-	4	8	-	-	-	12	6	-	1,3	0	50	2,2	RoHS 認證	contains no SVHC materials	23190.0070
7,0	-	-	-	8	-	M2,5	-	-	-	6	10	-	-	-	16	9	-	1,5	0	50	3,4	RoHS 認證	contains no SVHC materials	23190.0071
9,0	-	-	-	10	-	M3	-	-	-	6	12	-	-	-	20	11	-	2,0	0	50	4,0	RoHS 認證	contains no SVHC materials	23190.0072
11,0	-	-	-	13	-	M4	-	-	-	9	16	-	-	-	25	14	-	2,5	0	50	7,7	RoHS 認證	contains no SVHC materials	23190.0073
14,0	-	-	-	16	-	M5	-	-	-	12	20	-	-	-	32	16	-	3,0	0	50	14,0	RoHS 認證	contains no SVHC materials	23190.0074
18,0	-	-	-	28	-	M8	-	-	-	16	30	-	-	-	50	30	-	5,0	0	50	49,0	RoHS 認證	contains no SVHC materials	23190.0075

應用範例

