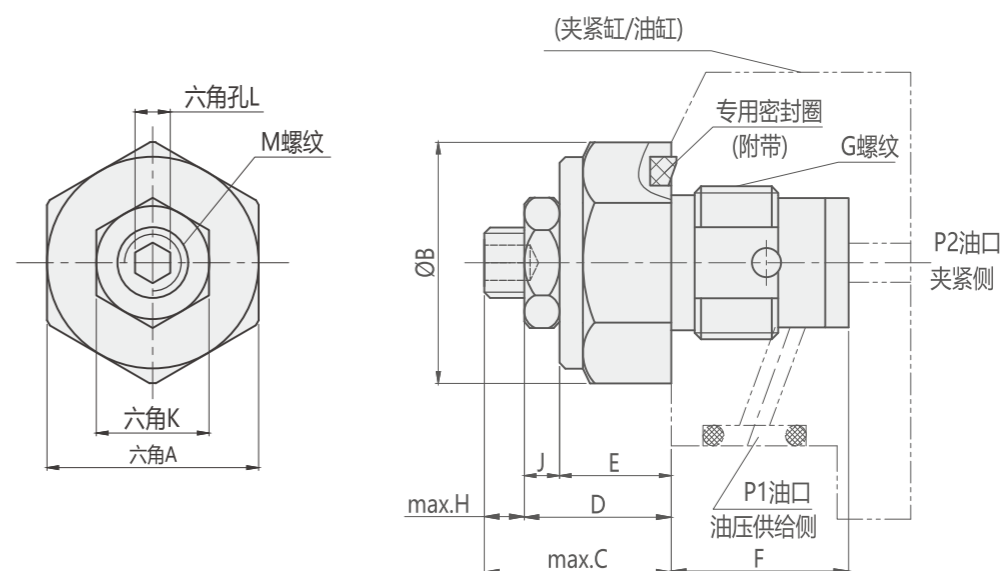


CZL

速度控制閥（低壓用）

CZL SPEED CONTROL VALVE (LOW PRESSURE)



注意事項

1. 控制側完全開啟時的最小流通面積與上表的最大流通面積相等。
2. 必須按本體推薦緊固力矩安裝速度控制閥。速度控制閥端面為金屬密封結構，緊固力矩不足將無法進行流量調整。
3. 不可將曾經使用過的速度控制閥再用於其它油缸上。否則可能會因油缸的G螺紋底面深度差異而導致金屬密封不嚴密，從而無法進行流量調整。

NOTE

1. Minimum passage area when fully opened is the same as the maximum passage area in the table above.
2. It must be mounted with recommended torque. Because of the structure of the metal seal, if mounting torque is insufficient, the flow control valve may not be able to adjust the flow rate.
3. Don't use used speed control valve (CZL) to other clamps. Flow control will not be made because the bottom depth difference of G thread makes metal seal insufficient.

訂購標示法 ORDERING INDICATION

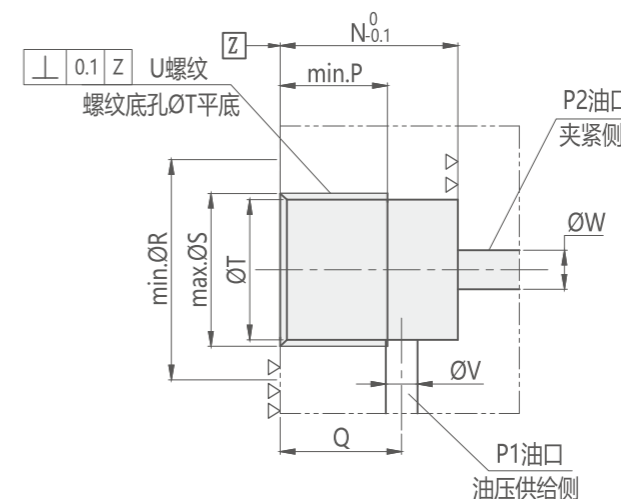
示例: CZL-10B

CZL	系列 Series	CZL
10	G螺紋尺寸 G thread size	10: 螺紋尺寸G1/8 20: 螺紋尺寸G1/4 30: 螺紋尺寸G3/8
		Thread part G1/8 thread Thread part G1/4 thread Thread part G1/8 thread
		螺紋部位 Thread part
B	控制方式 Control method	A進油節流 Meter-in B回油節流 Meter-out
		<div style="display: flex; justify-content: space-around;"> <div style="text-align: center;"> <p>A</p> <p>回路符號: 進油節流 Circuit symbols: Meter-in</p> </div> <div style="text-align: center;"> <p>B</p> <p>回路符號: 回油節流 Circuit symbols: Meter-out</p> </div> </div>

規格參數表 SPECIFICATION

型號	最高使用壓力	耐壓	控制方式	G螺絲尺寸	開啟壓力	最大流通面積	使用溫度	本體推薦緊固力矩(N.m)	使用流體
MODEL	MAX. OPERATING PRESSURE(Mpa)	WITHSTANDING PRESSURE(Mpa)	CONTROL METHOD	G THREAD SIZE	CRACKING PRESSURE (MPa)	MAX. PASSAGE AREA(mm²)	OPERATING TEMPERATURE(°C)	RECOMMEND TIGHTENING FOR MAIN BODY(N.m)	USABLE FLUID
CZL-10A	7	10.5	進油節流 Meter-in	G1/8	0.04	2.6	0~70°C	10	相當於ISO黏度等級的ISO-VG-32一般液壓油General Hydraulic Oil Equivalent to ISO-VG-32
CZL-20A	7	10.5	進油節流 Meter-in	G1/4	0.04	5.0	0~70°C	25	
CZL-30A	7	10.5	進油節流 Meter-in	G3/8	0.04	11.6	0~70°C	35	
CZL-10B	7	10.5	回油節流 Meter-out	G1/8	0.12	2.6	0~70°C	10	
CZL-20B	7	10.5	回油節流 Meter-out	G1/4	0.12	5.0	0~70°C	25	
CZL-30B	7	10.5	回油節流 Meter-out	G3/8	0.12	10.2	0~70°C	35	

安裝孔加工圖



注意事項

1. ∇∇∇部將成為密封面，注意切勿受損。
2. ∇∇部將成為CZL端面的金屬密封面，注意切勿受損。（去毛刺時注意）
3. 加工孔公差部位切勿殘留削屑、毛刺等異物。
4. 使用時請按圖所示，將P1油口設定為油壓供給側，將P2油口設定為夾緊側。
5. 如安裝市場上銷售的G螺紋規格的堵頭和接頭時，請將尺寸表內的「※1」設定為12.5。

NOTE

1. As the ∇∇∇ area is sealing part, pay attention not to damage it.
2. As the ∇∇ area is the metal sealing part at the CZL side, pay attention not to damage it. (Notes for deburring).
3. Pay attention to have no cutting chips and burring at the tolerance part of the machining hole.
4. As shown in the drawing, P1-port is used as hydraulic supply and P2-port as the clamping supply.
5. If using a common plug and fitting with G thread specification are considered to be mounted, "※1" in the table should be 12.5.

Unit:mm

Model	A	B	C	D	E	F	G	H	J	K	L	M	N	P	Q	R	S	T	U	V	W
CZL-10	14	15.5	15	12	8.5	11.6	G1/8	3	3.5	10	3	M6x0.75	11.5	8.5	9	16	10	8.7	G1/8	2~3	2.5~5
CZL-20	18	20	16	13	9.5	15.1	G1/4	3	3.5	10	3	M6x0.75	15	11※1	11.5	20.5	13.5	11.5	G1/4	3~4	3.5~7
CZL-30	22	24	19	16	11	17.6	G3/8	3	5	13	4	M8x0.75	17.5	13	13	24.5	17	15	G3/8	4~5	4.5~9