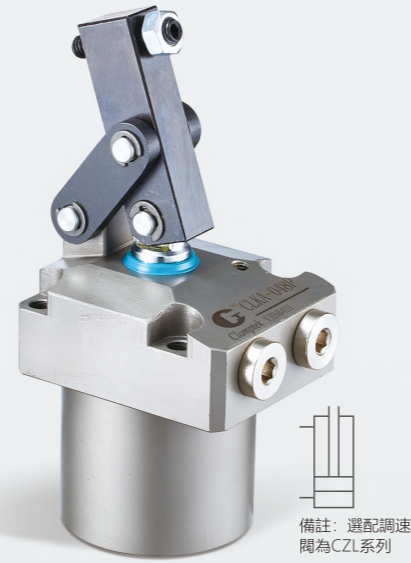


CLKA-P

高動力&紮實型油壓缸

CLKA-P HYDRAULIC LEVERAGE CLAMP



備註：選配調速閥為CZL系列

產品特性

此系列產品配件採用優化設計,與傳統產品比較夾緊能力提高了。產品支撐點部位與缸體採用一體化結構,使體積更加紮實,提高了產品強度。產品採用了專用防塵設計,提高了防塵和密封性,實現了高密封性。產品法蘭下部採用縮小設計,適合夾具要求的緊湊化和輕量化。

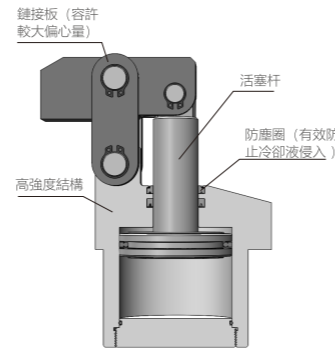
最大操作壓力: 70 kgf/cm²
 最小操作壓力: 10 kgf/cm²

FEATURES

Product with optimal design,so the clamping capacity is better than others clamps.Product with the integrated structure on support site and cylinder body,so made product will be more impact,and strength will be improved.Product with special dust proof design,to make sure a high sealing performance.Product with lower flange design,more suitable for compact and light fixture.

Max. operating pressure: 70 kgf/cm²
 Min. operating pressure: 10 kgf/cm²

剖面圖 Sectional view



注意事項

夾緊及放鬆作動速度需適當放緩。
 可接受訂製，歡迎與本公司洽詢。

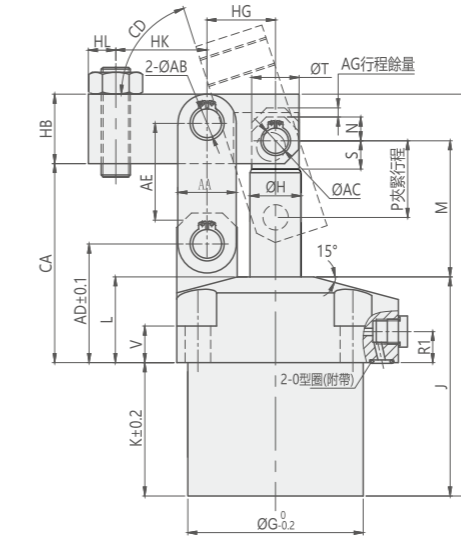
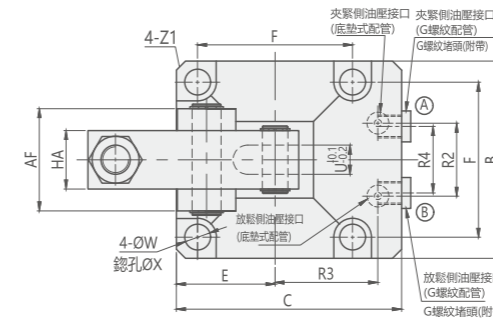
NOTE

The acting speed of clamping-unclamping should be slowed down.
 Orders with customized request are available, welcome to contact us.

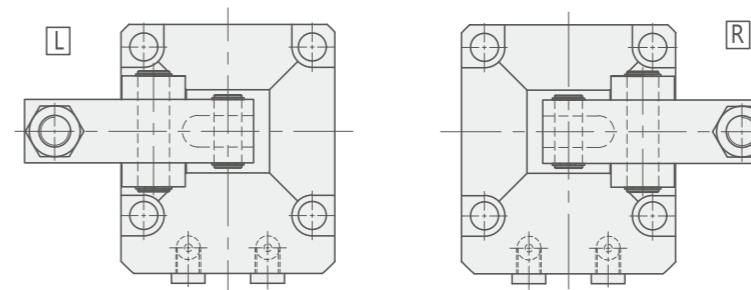
訂購標示法 ORDERING INDICATION

示例: CLKA - 040PL

CLKA-P	系列 Series	CLKA-P	
040	040/048/055/065/075/105		
L	壓臂安裝方向 Lever direction	空白: 標準 R: 右 L: 左	Blank: Standard R:Right L:Left



壓臂安裝方向 Lever Direction



Ⓐ 夾持油孔 Clamping port
 Ⓑ 放鬆油孔 Unclamping port

Unit:mm

MODEL ITEM	CLKA -040P	CLKA -048P	CLKA -055P	CLKA -065P	CLKA -075P	CLKA -105P
A	97	108	119.5	140	166	199
B	45	50	57	70	86	108
C	55	60	66	82	96	120
E	22.5	25	28.5	35	43	54
F	35	40	46	56	68	88
G	39	47	53	63	78	100
H	12	14	14	16	22.4	28
J	60	66	71	83	95	112
K	33.5	39.5	42.5	47	55	65
L	26.5	26.5	28.5	36	40	47
M	28.5	32	34.5	40	49	61.5
N	5	6	6	8	11	13
P	17.5	20.5	23	26.5	33	42
Q	2	2	2	2	2.5	2.5
R1	12.5	12.5	12.5	14	14	21
R2	22	24	28	36	45	50
R3	25	28	30.5	36	42	57
R4	20	22	26	30	38	50
S	6.5	7	7	9	10.8	14.5
T	10	12	12	14	20	26
U	6	6	8	10	11	16
V	18	17	17	20	20	20
W	5.5	5.5	6.8	9	11	14
X	10	10	12	15	18.5	20
Y	G/1/8	G1/8	G1/8	G1/4	G1/4	G3/8
Z1	C1.5	C2.5	C2.5	C3	C3.5	C5.5
O型圈O-Ring	P7	P7	P7	P8	P8	P10
AA	11	13	15	19	25	32
AB	6 ^{+0.012} ₀	6 ^{+0.012} ₀	8 ^{+0.015} ₀	10 ^{+0.015} ₀	14 ^{+0.018} ₀	16 ^{+0.018} ₀
AC	6 ^{+0.012} ₀	6 ^{+0.012} ₀	6 ^{+0.012} ₀	8 ^{+0.015} ₀	12 ^{+0.018} ₀	14 ^{+0.018} ₀
AD	34	36	39	48	54.5	65
AE	24	26	30	35.5	44	53
AF	21	21	28	37	46	56
AG	3	3	3	3	3	3
BC	4	4	4	6	6	8
CA	49.5	52.5	57	68	80	96
CB	48	59.6	67.3	78.7	98.2	133.5
CC	80.2	92.5	101.3	120.4	144.7	189.2
CD	約69°	約71°	約70°	約70°	約69°	約72°
HA	12	12	16	19	22	32
HB	14	16	20	25	31	38
HG	16.5	18.5	21	24.5	30.5	37.5
HK	20	23.5	29	32	39	50
HL	6	6	8	10	11	15

規格參數表 SPECIFICATION

型號	理論夾持力 (70 kgf/cm ²)	夾緊行程	總行程	推出容積	拉入容積	推出受壓面積	拉入受壓面積	使用溫度範圍	使用液體
MODEL	CLAMPING FORCE AT 70 kgf/cm ² (kgf)	CLAMPING STROKE (mm)	TOTAL STROKE(mm)	CYLINDER CAPACITY CLAMP(cm ³)	CYLINDER CAPACITY UNCLAMP(cm ³)	EFF.PISTON AREA CLAMP(cm ²)	EFF.PISTON AREA UNCLAMP(cm ²)	RANGE OF TEMPERATURE(°C)	USABLE FLUID
CLKA-040P	283	17.5	20.5	10	7.7	4.9	3.77	0~+70°C	相當於ISO黏度等級的ISO-VG-32一般液壓油 General Hydraulic Oil Equivalent to ISO-VG-32
CLKA-048P	391	20.5	23.5	16.7	13	7.1	5.56	0~+70°C	
CLKA-055P	486	23	26	25	21	9.6	8.06	0~+70°C	
CLKA-065P	814	26.5	29.5	44.8	38.9	15.2	13.2	0~+70°C	
CLKA-075P	1346	33	36	88.6	74.5	24.6	20.66	0~+70°C	
CLKA-105P	2020	42	45	173.3	145.5	38.5	32.35	0~+70°C	