

CHLC

槓桿式油壓缸

CHLC HYDRAULIC LEVERAGE CLAMP



產品特性

此型式油壓缸,夾持機構為槓桿原理,活塞推出為夾緊狀態,夾持力大於轉角缸,主要機構零件安裝在缸體外部,易於維護。
缸體及夾持機構材料均採用機械構造用碳素鋼,堅固耐用,使用壽命長。活塞材質採用45鋼,熱處理,表面鍍鉻。

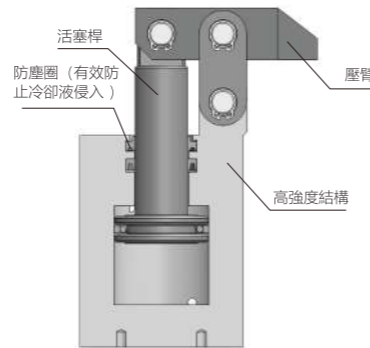
最大操作壓力: 70 kgf/cm²
最小操作壓力: 10 kgf/cm²
作動方式: 複動式

FEATURES

The clamp structure of this model is based on the lever principle: it will be tightened as piston pushing out. The clamping force is stronger than the swing clamp cylinder's. The parts are installed outside the cylinder barrel for maintaining easily.
The cylinder barrel and clamp structure are made of carbon steel. It is firm, durable and long-lived to use. The material of the piston is 45# steel, heat treatment, chrome plated.

Max. operating pressure: 70 kgf/cm²
Min. operating pressure: 10 kgf/cm²
Double acting

剖面圖 Sectional view



注意事項

夾緊及放鬆作動速度需適當放緩。

NOTE

The acting speed of clamping-unclamping should be slowed down.

訂購標示法 ORDERING INDICATION

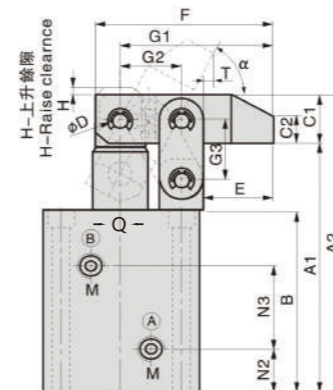
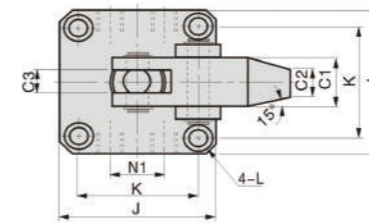
示例: CHLC - M25RA

CHLC	系列 Series	CHLC
M	型式 Type	空白: 配管式 M: 油路板型 MF: 油路板型附調速 FA: 法蘭型 FAM: 法蘭型油路板 FAMT: 法蘭型附調速
		Blank: Line type M: Manifold type MF: Manifold with flow control FA: Flange type FAM: Flange with manifold FAMT: Flange with flow control
25	油缸內徑 Hydraulic cylinder inside diameter	Φ25, Φ32, Φ40 Φ50, Φ63
R	壓臂安裝方向 Lever direction	L: 左 R: 右
A	一體成型 A integrated	

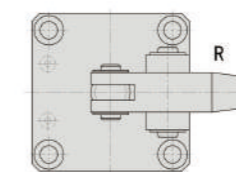
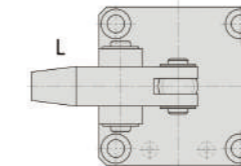
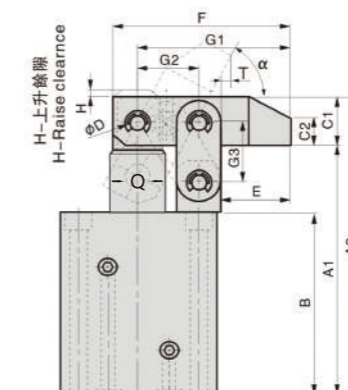
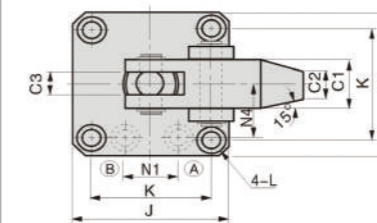
註: 詳情見後面圖
Note: Please refer to the CAD drawing for the details.

備註: 配管式, MF油路板型附調速以及FA法蘭型只有單一方向。
Note: The line type, MF and FA only have single direction.

LINE TYPE 配管式



M: MANIFOLD TYPE M油路板型



- Ⓐ 夾持油孔 Clamping port
- Ⓑ 放鬆油孔 Unclamping port

Unit:mm

MODEL ITEM	CHLC-25 CHLC-M25	CHLC-32 CHLC-M32	CHLC-40 CHLC-M40	CHLC-50 CHLC-M50	CHLC-63 CHLC-M63
A1	103	112	122	137	155
A2	122	131	144	162	187
B	76	85	90	100	111
C1	□19	□19	□22	□25	□32
C2	11	11	13	15	19
C3	9	9	10	11	15
ΦD	Φ8	Φ8	Φ10	Φ12	Φ15
E	25	25	30	35.5	43
F	64	64	77	90	110
G1	55	55	66	77	94
G2	22	22	26	30	36
G3	24	24	29	33	39
H	3	3	4	4	4
J	55	57	69	75	96
K	42	44	52	58	75
L	Φ6.8-Φ10.5 ×6.5D	Φ6.8-Φ10.5 ×6.5D	Φ9-Φ14 ×9D	Φ9-Φ14 ×9D	Φ11-Φ18 ×11D
M	PT1/8	PT1/8	PT1/4	PT1/4	PT1/4
N1	18	22	26	32	38
N2	17	19	19	21.5	22
N3	33	38	40	45	52
N4	20	22	26	29	38
O型圈 O-Ring	P7	P7	P8	P7	P9
α	61°	61°	61°	61°	66°
T	4	5	5.5	7.5	2
Q	Φ18	Φ20	Φ22.4	Φ28	Φ35.5

規格參數表 SPECIFICATION

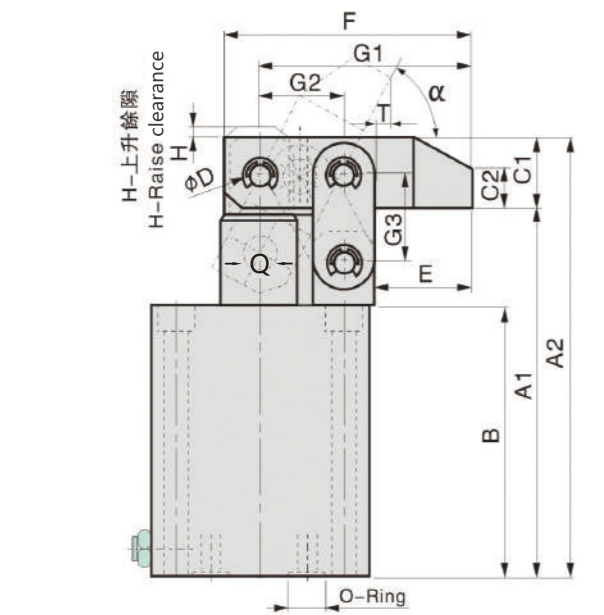
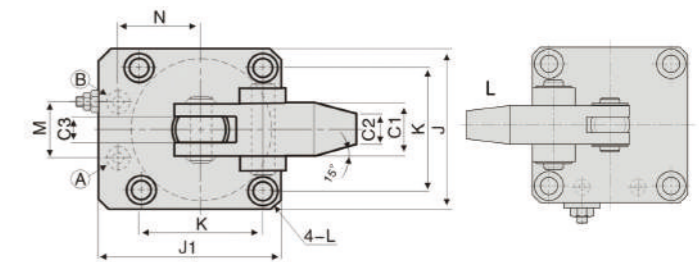
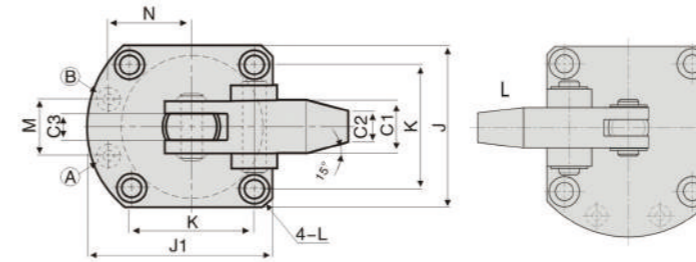
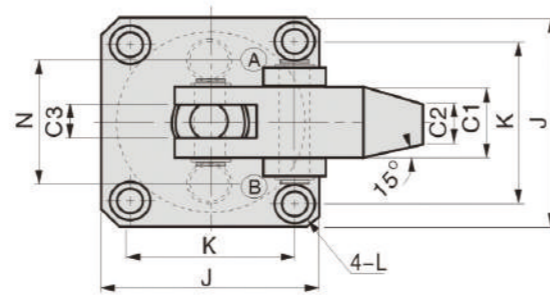
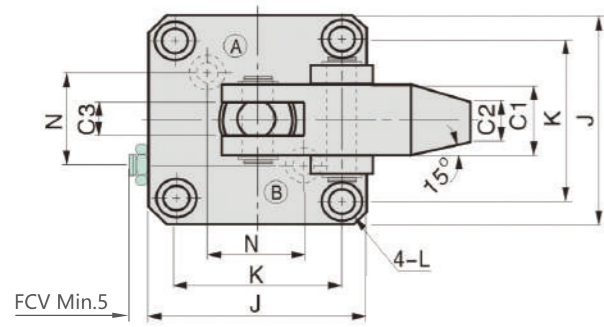
型號	理論夾持力 (70 kgf/cm ²)	夾緊行程	總行程	推出容積	拉入容積	推出受壓面積	拉入受壓面積	使用溫度範圍	使用液體
MODEL	CLAMPING FORCE AT 70 kgf/cm ² (kgf)	CLAMPING STROKE (mm)	TOTAL STROKE(mm)	CYLINDER CAPACITY CLAMP(cm ³)	CYLINDER CAPACITY UNCLAMP(cm ³)	EFF.PISTON AREA CLAMP(cm ²)	EFF.PISTON AREA UNCLAMP(cm ²)	RANGE OF TEMPERATURE(°C)	USABLE FLUID
CHLC-25	252	22	25	12.28	5.93	4.91	2.37	-10~+70°C	相當於ISO黏度等級的ISO-VG-32一般液壓油 General Hydraulic Oil Equivalent to ISO-VG-32
CHLC-32	412	22	25	20.10	12.25	8.04	4.9	-10~+70°C	
CHLC-40	618	26	30	37.68	25.86	12.56	8.62	-10~+70°C	
CHLC-50	981	30	34	66.74	45.80	19.63	13.47	-10~+70°C	
CHLC-63	1482	40	44	124.64	85.04	31.16	21.26	-10~+70°C	

油路板附調速 CHLC-MF

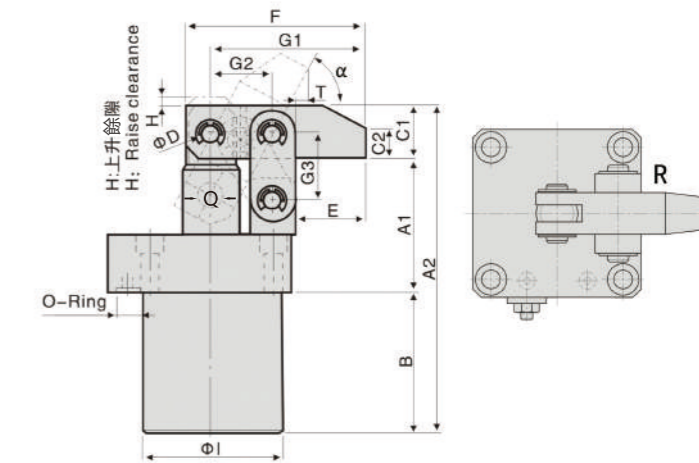
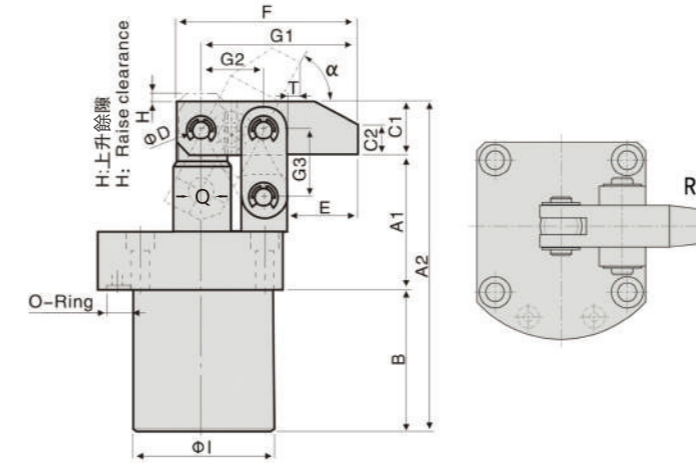
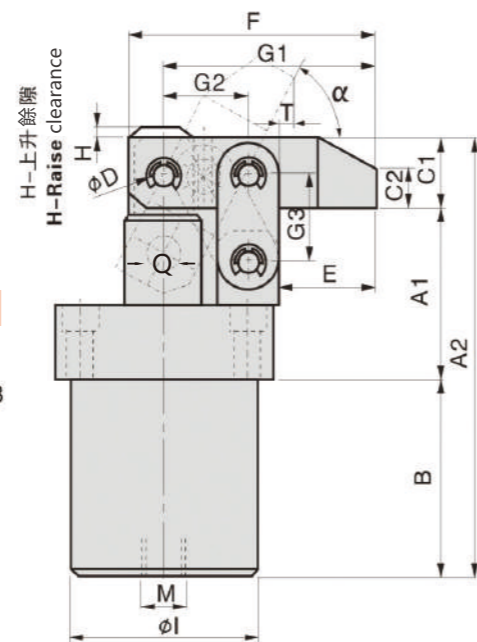
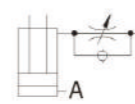
法蘭型 CHLC-FA

法蘭型油路板 CHLC-FAM

法蘭型附調速 CHLC-FAMT



CHLC-MF



Ⓐ 夾持油孔 Clamping port Ⓑ 放鬆油孔 Unclamping port

Ⓐ 夾持油孔 Clamping port Ⓑ 放鬆油孔 Unclamping port

Unit:mm

MODEL	A1	A2	B	C1	C2	C3	ΦD	E	F	G1	G2	G3	H	ΦI	J	K	L	M	N	O-Ring	α	T	Q
CHLC-MF25	112	131	85	□19	11	9	Φ8	25	64	55	22	24	3	-	55	42	Φ6.8-Φ10.5 ×6.5D	-	19	P7	61°	4	Φ18
CHLC-MF32	115	134	88	□19	11	9	Φ8	25	64	55	22	24	3	-	57	44	Φ6.8-Φ10.5 ×6.5D	-	21	P7	52°	11	Φ20
CHLC-MF40	130	152	98	□22	13	10	Φ10	30	77	66	26	29	4	-	69	52	Φ9-Φ14 ×9D	-	23	P9	58°	7.5	Φ22.4
CHLC-MF50	145	170	108	□25	15	11	Φ12	35.5	90	77	30	33	4	-	75	58	Φ9-Φ14 ×9D	-	28	P9	61°	7.5	Φ28
CHLC-MF63	163	195	119	□32	19	15	Φ15	43	110	94	36	39	4	-	96	75	Φ11-Φ18 ×11D	-	35	P9	66°	2	Φ35.5
CHLC-FA25	49	131	63	□19	11	9	Φ8	25	64	55	22	24	3	Φ45	55	42	Φ6.8-Φ10.5 ×6.5D	PT1/4	25	-	61°	4	Φ18
CHLC-FA32	52	134	63	□19	11	9	Φ8	25	64	55	22	24	3	Φ50	57	44	Φ6.8-Φ10.5 ×6.5D	PT1/4	32	-	61°	5	Φ20
CHLC-FA40	57	152	73	□22	13	10	Φ10	30	77	66	26	29	4	Φ58	69	52	Φ9-Φ14 ×9D	PT1/4	40	-	61°	5.5	Φ22.4
CHLC-FA50	67	170	78	□25	15	11	Φ12	35.5	90	77	30	33	4	Φ68	75	58	Φ9-Φ14 ×9D	PT1/4	50	-	61°	7.5	Φ28
CHLC-FA63	74	196	90	□32	19	15	Φ15	43	110	94	36	39	4	Φ82	98	75	Φ11-Φ18 ×11D	PT1/4	63	-	66°	2	Φ35.5

Unit:mm

MODEL	A1	A2	B	C1	C2	C3	ΦD	E	F	G1	G2	G3	H	ΦI	J	J1	K	L	M	N	O-Ring	α	T	Q
CHLC-FAM25	49	122	54	□19	11	9	Φ8	25	64	55	22	24	3	Φ45	55	64	42	Φ6.8-Φ10.5 ×6.5D	20	28	P6	61°	4	Φ18
CHLC-FAM32	52	131	60	□19	11	9	Φ8	25	64	55	22	24	3	Φ50	57	65.5	44	Φ6.8-Φ10.5 ×6.5D	22	29	P6	61°	5	Φ20
CHLC-FAM40	57	144	65	□22	13	10	Φ10	30	77	66	26	29	4	Φ58	69	79	52	Φ9-Φ13.5 ×9D	25	34.5	P9	61°	5.5	Φ22.4
CHLC-FAM50	67	162	70	□25	15	11	Φ12	35.5	90	77	30	33	4	Φ68	75	87	58	Φ9-Φ13.5 ×9D	30	39	P9	61°	7.5	Φ28
CHLC-FAM63	74	187	81	□32	19	15	Φ15	43	110	94	36	39	4	Φ82	98	114	75	Φ11-Φ18 ×11D	40	49.5	P9	66°	2	Φ35.5
CHLC-FAMT25	49	122	54	□19	11	9	Φ8	25	64	55	22	24	3	Φ45	55	64	42	Φ6.8-Φ10.5 ×6.5D	20	28	P6	61°	4	Φ18
CHLC-FAMT32	52	131	60	□19	11	9	Φ8	25	64	55	22	24	3	Φ50	57	65.5	44	Φ6.8-Φ10.5 ×6.5D	22	29	P6	61°	5	Φ20
CHLC-FAMT40	57	144	65	□22	13	10	Φ10	30	77	66	26	29	4	Φ58	69	79	52	Φ9-Φ13.5 ×9D	26	34.5	P9	61°	5.5	Φ22.4
CHLC-FAMT50	67	162	70	□25	15	11	Φ12	35.5	90	77	30	33	4	Φ68	75	87	58	Φ9-Φ13.5 ×9D	30	39	P9	61°	7.5	Φ28
CHLC-FAMT63	74	187	81	□32	19	15	Φ15	43	110	94	36	39	4	Φ82	98	114	75	Φ11-Φ18 ×11D	40	49.5	P9	66°	2	Φ35.5